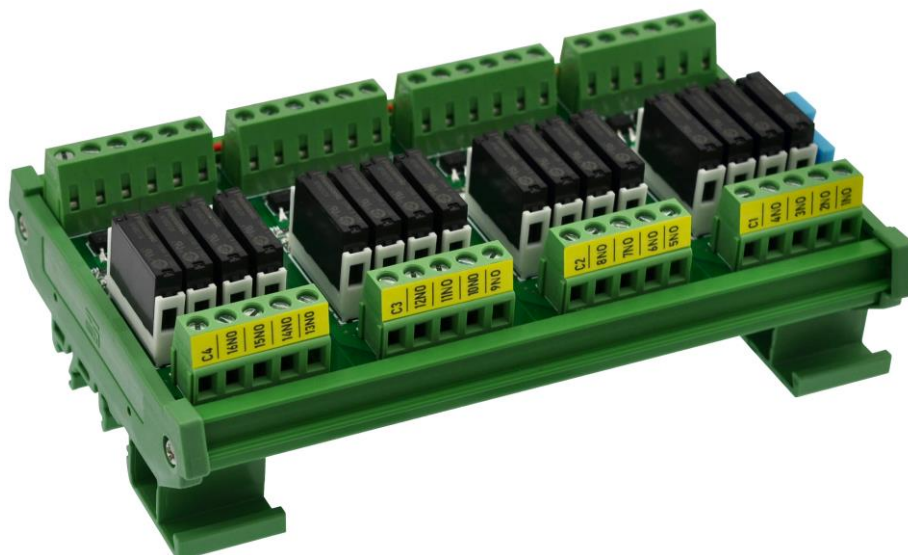


CZH-LABS.com

Electronics-Salon

Passive 5 Amp SPST-NO Slim Power Relay Module

Model: D-1302 Series



Features:

- 1, Original Panasonic APAN31xx relay and PA1a-PS relay socket, with removal key, easy to replace pluggable relay. Relay switch type SPST-NO(when the relay no action switch status off). Switching current up to 5Amp/250V or 5Amp/30VDC.
- 2, Users can flexibly configured control signal mode according to controllers output, can support Common Positive(for NPN / Sink output controllers) and Common Negative(for PNP/Source output controllers). LED indicator for each relay channel. Relay coil protection by means of a freewheeling diode.
- 3, Operating voltage DC 5V / 12V / 24V versions selectable. Relay number 4 / 8 / 16 / 24 / 32 channels to selectable.
- 4, High quality terminal block: Pitch 5.0mm/0.197", Wire range 28AWG ~ 12AWG / 2.5mm square, Strip length 7mm. Screws - M2.5,steel,Cr3+ Zn plated. Pin header and Cage - Brass.
- 5, Screw mount or DIN rail mount types selectable. DIN rail mount carrier: High quality Taiwan DINKLE fireproof nylon material DIN rail mount carrier (not China low quality carrier), can support width 35mm / 32mm / 15mm rail. FR-4 fiber glass dual layers PCB.

Passive SPST-NO Slim Relay Module Version List

Relay Channel	Operating Voltage	Screw Hole Mount	DIN Rail Mount
4	DC5V	MD-D1302/5V-1	MD-D1043T5V/4-1
	DC12V	MD-D1302/12V-1	MD-D1043T12V/4-1
	DC24V	MD-D1302/24V-1	MD-D1043T24V/4-1
8	DC5V	X	MD-D1043T5V/8-1
	DC12V	X	MD-D1043T12V/8-1
	DC24V	X	MD-D1043T24V/8-1
16	DC5V	X	MD-D1043T5V/16-1
	DC12V	X	MD-D1043T12V/16-1
	DC24V	X	MD-D1043T24V/16-1
24	DC5V	X	MD-D1043T5V/24-1
	DC12V	X	MD-D1043T12V/24-1
	DC24V	X	MD-D1043T24V/24-1
32	DC5V	X	MD-D1043T5V/32-1
	DC12V	X	MD-D1043T12V/32-1
	DC24V	X	MD-D1043T24V/32-1

Electrical Parameters:

Relay Type: 5V version: Panasonic APAN3105
 12V version: Panasonic APAN3112
 24V version: Panasonic APAN3124

Action Voltage: 5V version: DC 4.5 ~ 6V
 12V version: DC 9.7 ~ 15V
 24V version: DC 18.7 ~ 29V

Release Voltage: 5V version: DC 0 ~ 0.7V
 12V version: DC 0 ~ 1.0V
 24V version: DC 0 ~ 1.5V

Action Current: 5V version: 23mA (one channel).
 12V version: 11mA (one channel).
 24V version: 7mA (one channel).

Output:

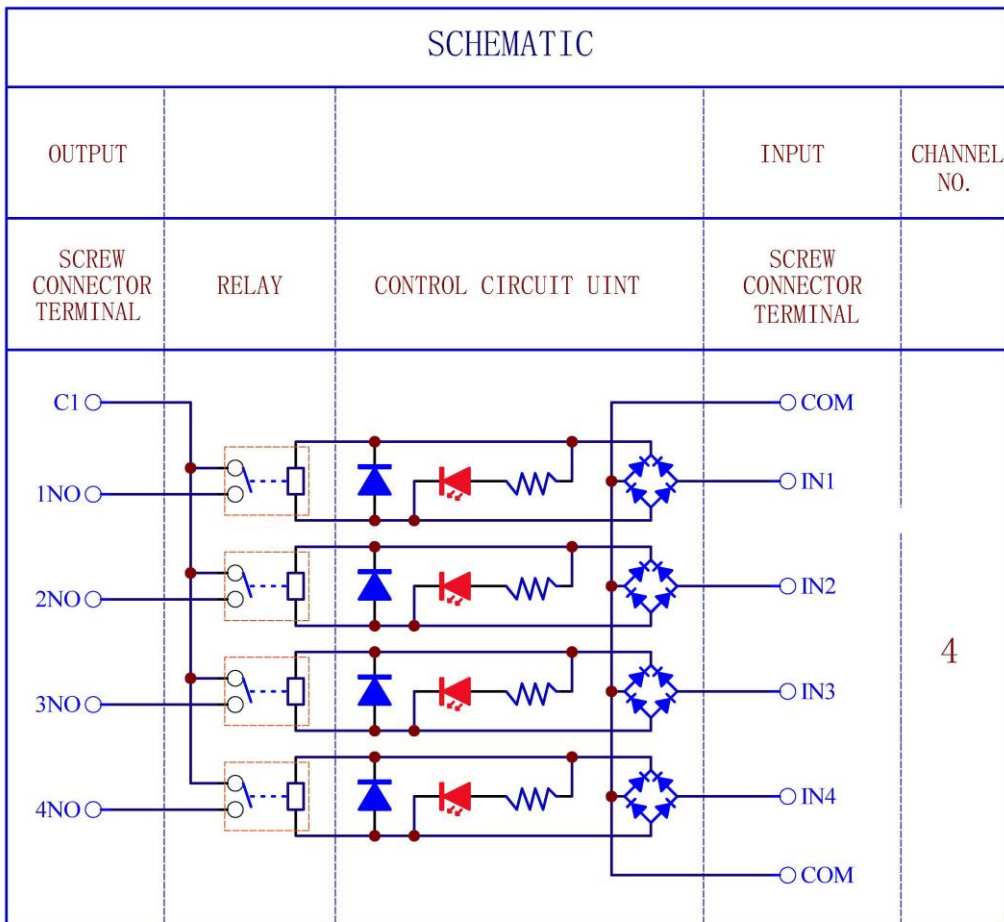
xNO terminal position: each "NO" position maximum current: 5Amp, 250VAC/30VDC.

Cx terminal position: each "C" position maximum current: 16Amp.

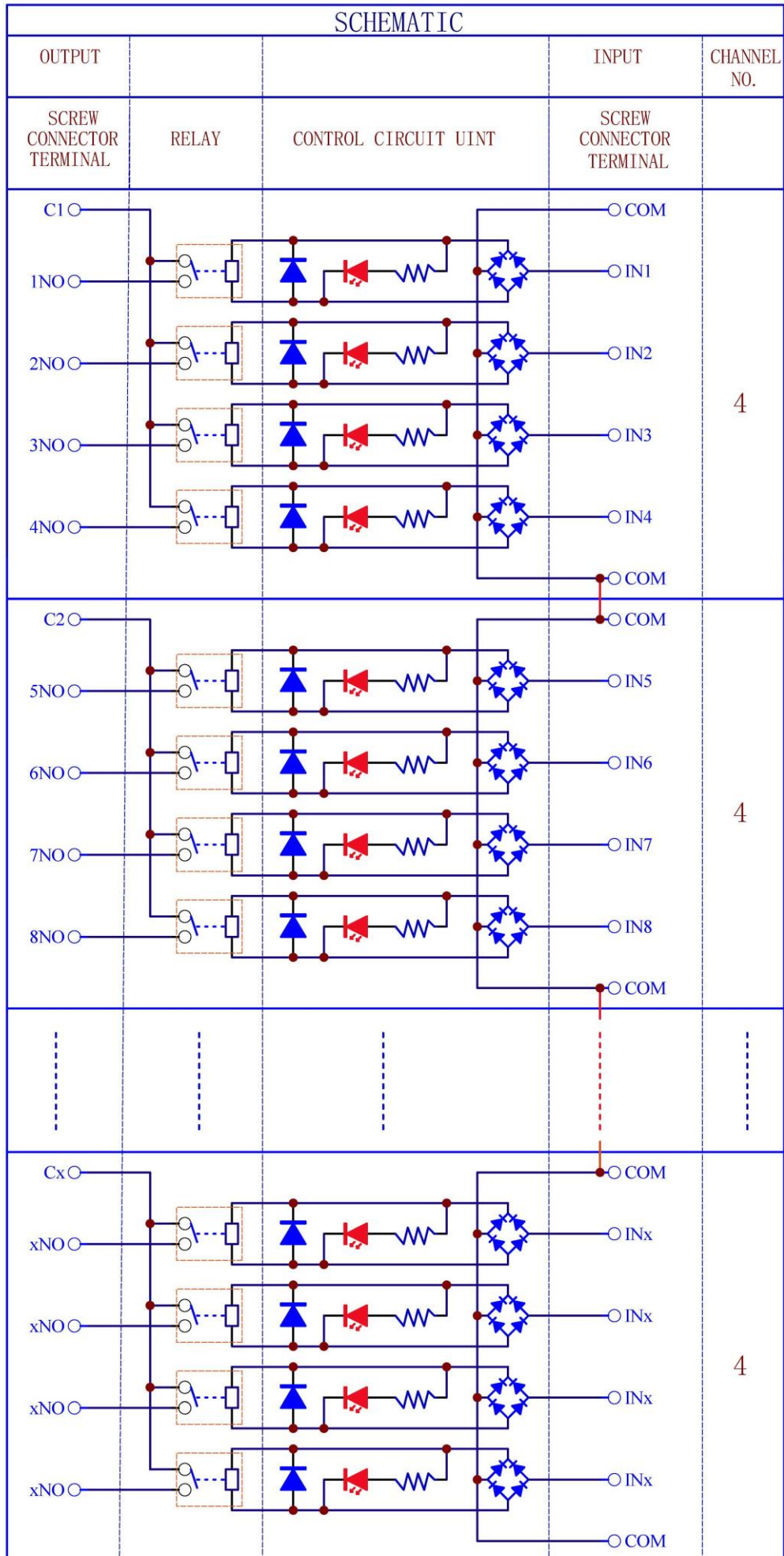
Terminal Block: Wire range: 26 ~ 12AWG / 2.5mm², Strip length: 7mm, Screw: Metric slot M2.

Schematic:

4 Channel Versions

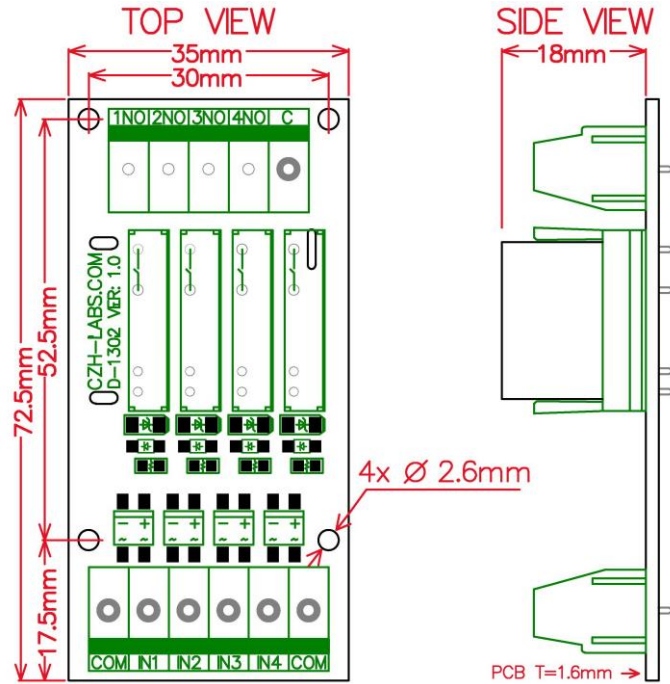


8 / 16 / 24 / 32 Channel Versions

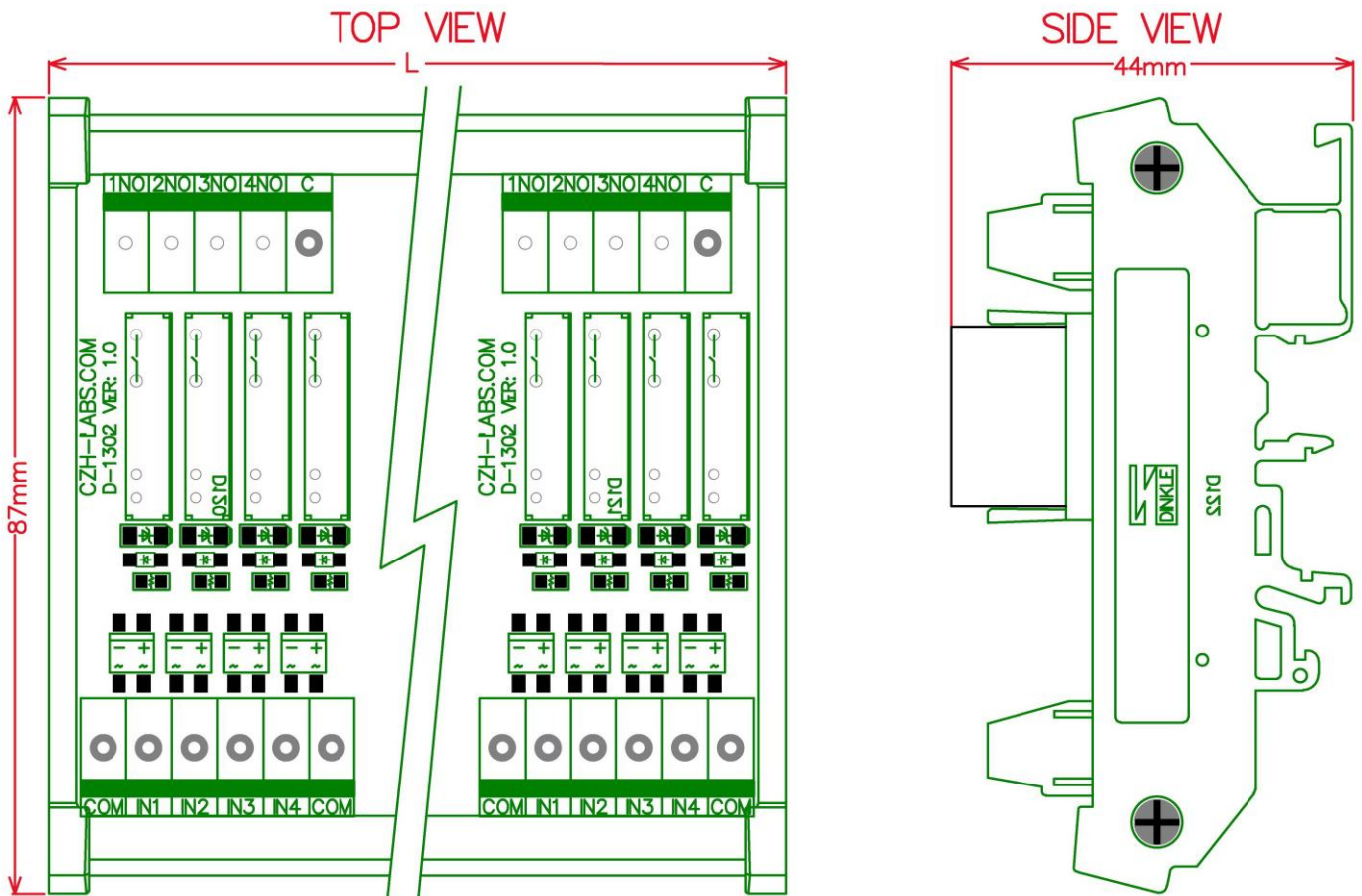


Dimensions:

4 Channel Screw Mount Versions



4 / 8 / 16 / 24 / 32 Channel DIN Rail Mount Versions



CHANNEL NO.	32	24	16	8	4
L	282mm	212mm	142mm	72mm	42mm